

CONTENT LIST

1.0 Housing

2.0 Pump set

2.1 Housing

2.2 Thrust guidance

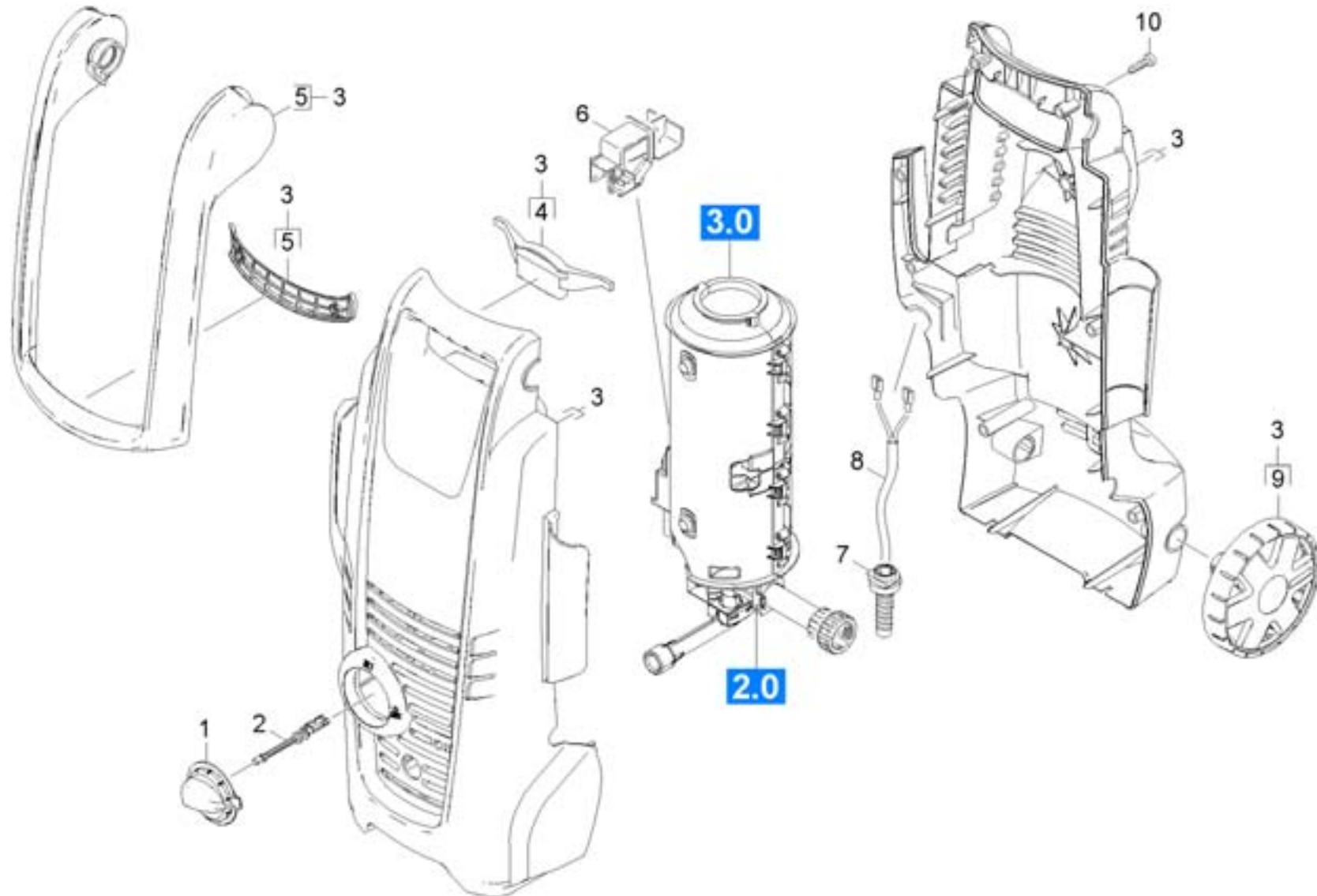
3.0 Motor

4.0 Accessories

4.1 Trigger gun

4.2 Jet pipe

1.0 Housing



1.0 Housing

POS	DESCRIPTION ADDITIONAL INFORMATIONS	PART NO	QTY.	FROM SER.NR.	UP TO SER. NR.
1	Handhold switch 2006 vertikal	53217950	1		
2	Axle mediumlong yellow	51053900	1		
3	Housing complete replacement (K2.36/2.56	40670510	1		
4	Locking part handhold K2.56	50329330	1		
5	Handhold complete K2.56	43211940	1		
6	Switch complete UL/CSA+Ers. (ohne Fluege	66303570	1		
7	CABLE BUSHING	58200700	1		
8	CABLE M. STECKER * 1.672-462.0	66488610	1		
9	Wheel K2.900	55152730	2		
10	SCREW	63031500	7		

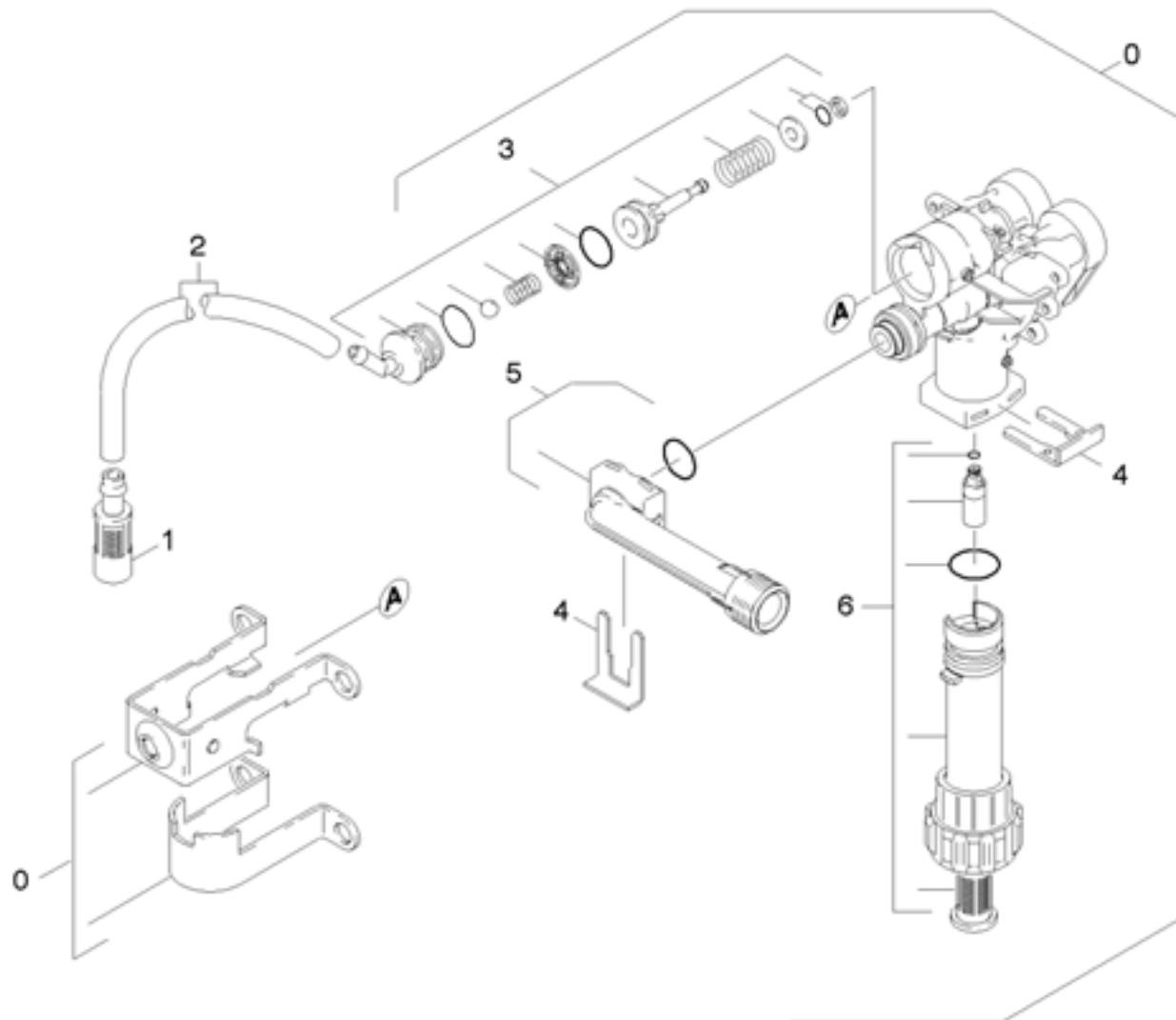
2.0 Pump set

2.1 Housing

2.2 Thrust guidance



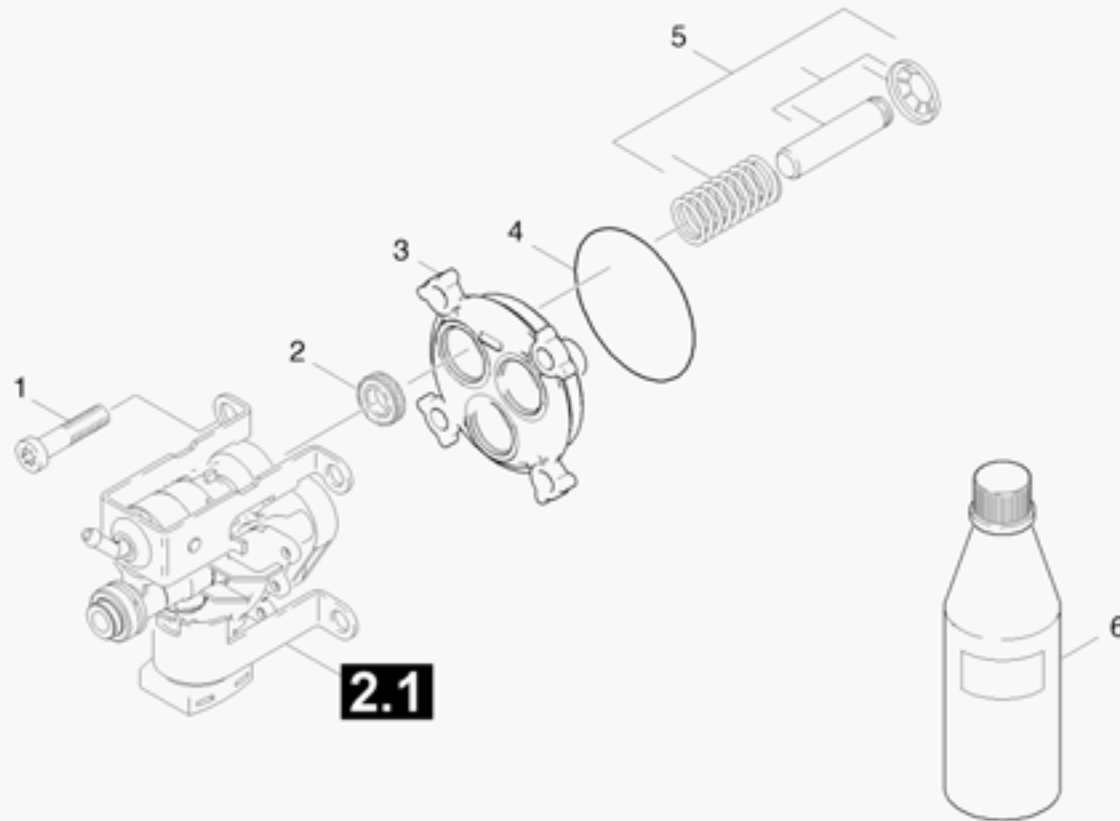
2.1 Housing



2.1 Housing

POS	DESCRIPTION	PART NO	QTY.	FROM SER.NR.	UP TO SER. NR.
	ADDITIONAL INFORMATIONS				
0	Cylinder head replacement *USA K2.900	45507340	1		
1	Filter with weight	57316090	1		
2	Hose DN 5	63882160	1		
	TO ORDER AS CUT GOODS				
3	ET SET	28841330	13		
4	CLAMP	50484060	2		
5	Outlet high-pressure with O-Ring seal	40637830	1		
6	Suction cover *USA +SV Ersatz	40638200	1		

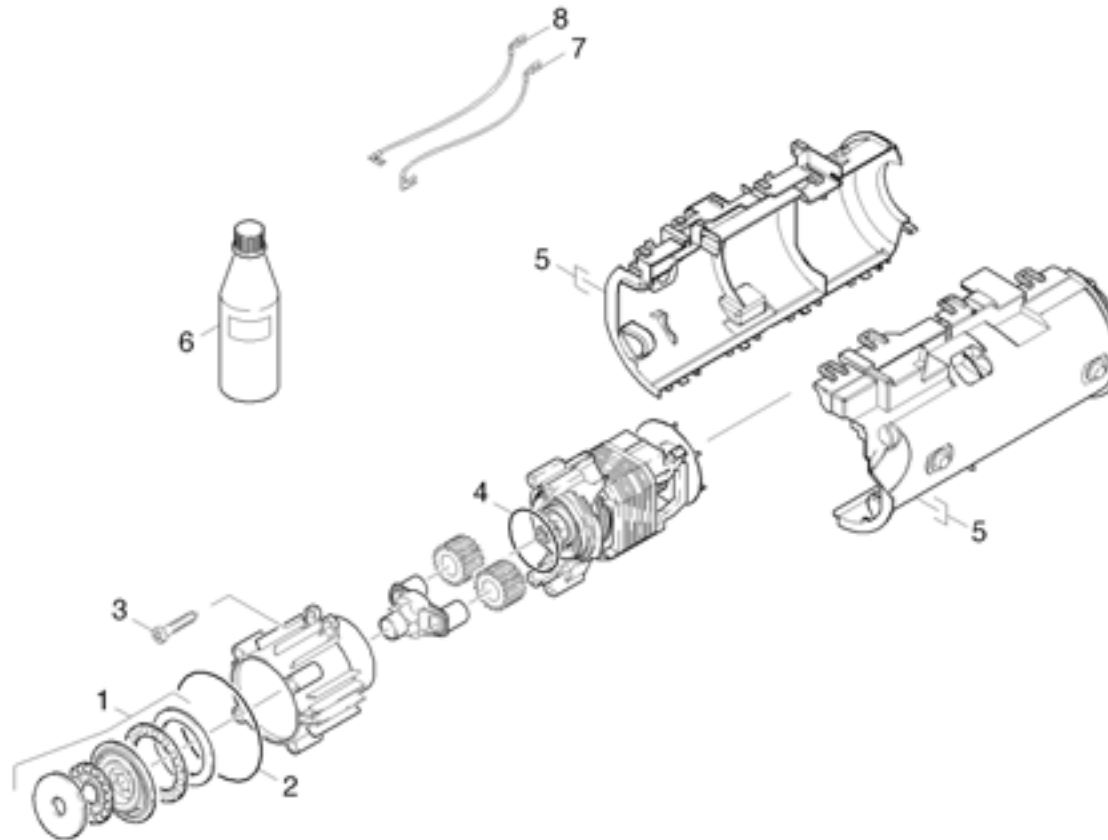
2.2 Thrust guidance



2.2 Thrust guidance

POS	DESCRIPTION ADDITIONAL INFORMATIONS	PART NO	QTY.	FROM SER.NR.	UP TO SER. NR.
1	Screw St-A2E (In6Rd)	63031440	4		
2	Grooved ring 12X20X4/6	63653930	3		
3	HOUSING	50608530	1		
4	O-Ring seal 60x2,5	63629020	1		
5	Spare parts set piston piston GSF	28848590	3		
6	ENGINE OIL 1 LTR	62881120	1		

3.0 Motor



3.0 Motor

POS	DESCRIPTION ADDITIONAL INFORMATIONS	PART NO	QTY.	FROM SER.NR.	UP TO SER. NR.
1	Wobble plate assembly	41201960	1		
2	O-Ring seal 60x2,5	63629020	1		
3	Screw 5x26,4	63032600	4		
4	GASKET 50,0 X 2,2	63629790	1		
5	Housing motor Ers. *USA K2.900	40670500	1		
6	ENGINE OIL 1 LTR	62881120	1		
7	Cable motor 225mm	66485870	1		
8	Cable motor 270mm	66485860	1		

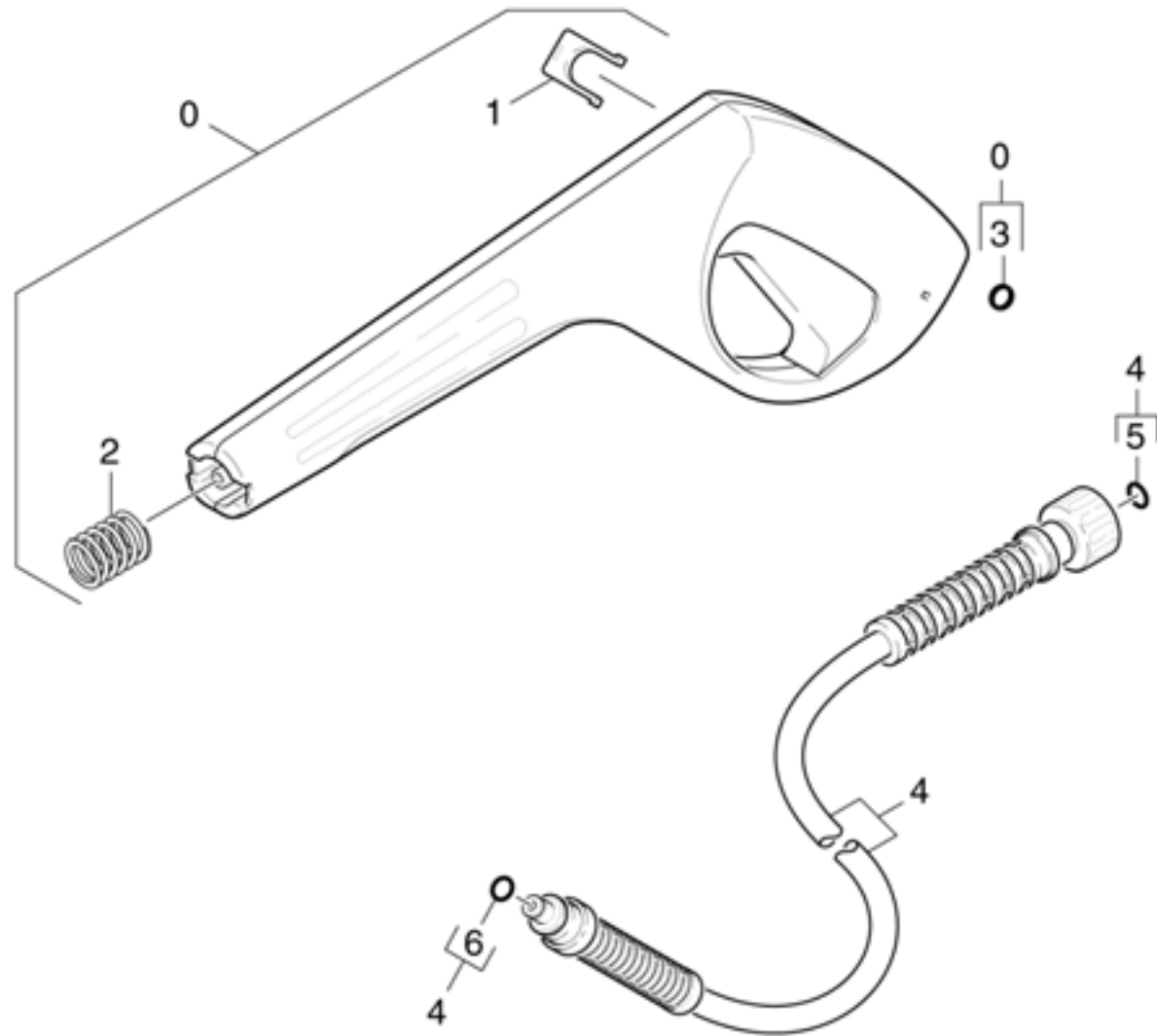
4.0 Accessories

4.1 Trigger gun

4.2 Jet pipe



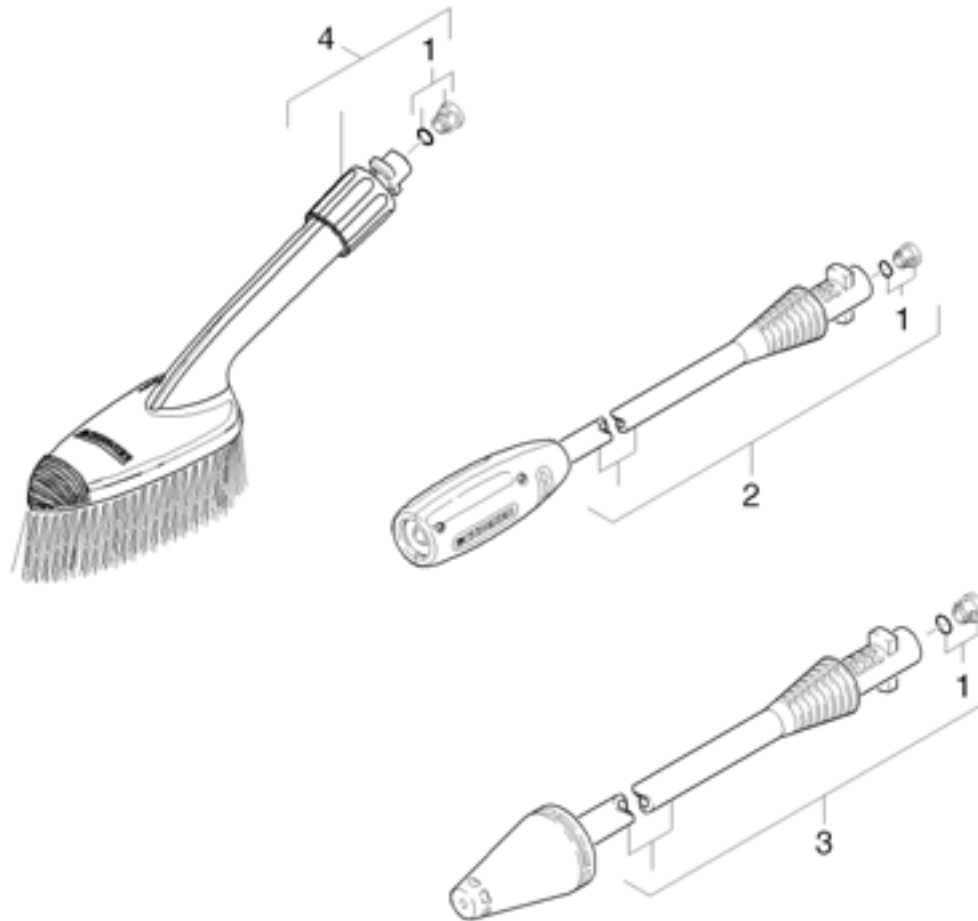
4.1 Trigger gun



4.1 Trigger gun

POS	DESCRIPTION ADDITIONAL INFORMATIONS	PART NO	QTY.	FROM SER.NR.	UP TO SER. NR.
0	PISTOL	47753890	1		
1	CLAMP	50371370	1		
2	Pressure spring	53324640	1		
3	GASKET	63631980	1		
4	Flexible Hose	63908710	1		
5	Spare part set O-Ring seal 5x-Kaercher	28802960	1		
6	O-Ring seal 6,75x1,78 NBR 70	63624980	1		

4.2 Jet pipe



4.2 Jet pipe

POS	DESCRIPTION ADDITIONAL INFORMATIONS	PART NO	QTY.	FROM SER.NR.	UP TO SER. NR.
1	GASKET	26407290	1		
2	VPS K2 026	47605200	1		
3	ROTARY NOZZLE	47639910	1		
4	BRUSH LAENG	26405890	1		